

DMR/NXDN PROFESSIONAL Digital Trunking Mobile Radio

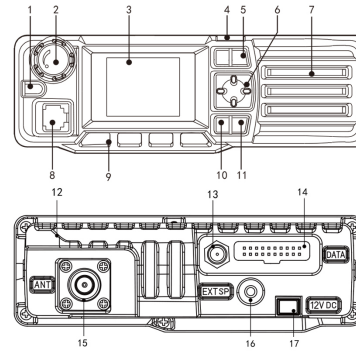


SC M3600

Voice Clear / Various Modes / Rich Features

- Dual-mode Digital/Analog Compatible
- DMR Tier II (Tier III Available Upon Request)
- SFR (Single Frequency Repeater)
- Supports NXDN/DMR
- Emergency Alarm
- DMO 2 Slots
- Bluetooth (Optional)
- Beidou/GPS/GLONASS Positioning (Optional)
- AES-256 Encrypted
- 1.77-inch Color Display
- One Touch for Data/Voice Messages
- Supports Private Call/Group Call/All Call
- Radio Detection
- Remote Kill/Revive

Radio Overview



No.	Name	No.	Name
1	Power On Key	12	Heat Sink
2	Volume Knob	13	Positioning Antenna Interface
3	Display Screen	14	Data Interface
4	Receiving and Transmitting Indicator	15	Antenna Interface
5	Channel Switch key	16	External Audio Interface
6	Navigation Key	17	Power Interface
7	Speaker Sound Outlet		
8	Microphone Connection Socket		
9	Function Key		
10	Menu Key		
11	Return Key		

Specifications

Transmitter	
RF Power	10W (Low) / ≤25W (High)
Power Margin Variation	+2/-3dB (under Extreme Conditions)
Frequency Error	±1.0ppm
FSK Error	<2%
4FSK Transmission Bit Error Rate (BER)	≤1×10 ⁻⁴
4FSK Modulation Frequency Deviation Error	≤10.0%
Occupied Bandwidth (PDT/DMR)	≤8.5kHz
TX Attack/Release Time	≤1.5ms
Adjacent Channel Power	≤-60dB @ 12.5kHz / ≤-70dB @ 25kHz
Transient Adjacent Channel Power	≤-50dB @ 12.5kHz / ≤-60dB @ 25kHz
FM Modulation	4K00F1D @ 6.25kHz / 8K0F3E @ 12.5kHz / 16K0F3E @ 25kHz
4FSK Digital Modulation	12.5KHz (data only) : 7K60FXD 12.5KHz (data+voice) : 7K60FXE
Audio Distortion	≤3% @ 40% Deviation
Audio Response	+1 ~ -3dB
FM Hum and Noise	40dB @ 12.5kHz / 45dB @ 25kHz
Spurious Emission	≤-36dBm (9kHz~1GHz) ≤-30dBm (1GHz~12.75GHz)

Receiver	
Analog Sensitivity	0.18μV (Typical) (12dB SINAD) 0.22μV (12dB SINAD) 0.30μV (20dB SINAD)
Digital Sensitivity	0.20μV (Typical) (BER 5%)
Adjacent Channel Selectivity	60dB @ 12.5kHz / 70dB @ 25kHz
Intermodulation Rejection	65dB @ 12.5kHz / 65dB @ 25kHz
Blocking	90dB @ 12.5kHz / 90dB @ 25kHz
Co-Channel Rejection	-12dB @ 12.5kHz -8dB @ 25kHz
Spurious Response Rejection	70dB @ 12.5kHz / 70dB @ 25kHz
Rated Audio Output Power	3 W /4Ω
Conducted Spurious Emission	<-57dBm (9kHz~1GHz) <-47dBm (1GHz~12.75GHz)

General	
Frequency Range	136~174MHz,350~400MHz 400~470MHz,450~520MHz
Channel Spacing	6.25kHz(NXDN) / 12.5 kHz / 25 kHz
Channel/Zone Capacity	2000 Channels / 64 Zones
Operating Voltage	13.6V±15%
Vocoder Type	AMBE+2TM / NVOC
Frequency Stability	±1.0ppm
Antenna Impedance	50Ω
Dimensions (without Antenna)	170mm×170mm×57mm
Weight	1.65kg
Ingress Protection (IP) Rating	IP68

*The technical specifications table is in DMR version. For NXDN version, please consult our sales representative.

Accessories



Microphone



Bracket



Power Cable



Hanger + Screws



Mounting Screws



SWIFTCOM Technology Pte Ltd

1 Tampines North Drive 1 #08-13.
T-Space, Singapore 528559
Tel No: +65 62949135
Website: www.walkietalkie.com.sg

